

## HMI POSYC 43XX

### Industrial Panel PC

#### Description

POSYC 43XX is an industrial panel PC based on Intel x86 dual core architecture and equipped with a 15" 24bits colour display and high reliable touch screen. Advanced ergonomics design, iconstyle, user-friendly technology; it is designed to facilitate human machine interface (HMI) in industrial environments. Its powerful processor and lots of features available, make it ideal for many applications. VESA compliant arm or panel mount options. Rugged buttons control panel option.



#### **Smitec S.p.A.**

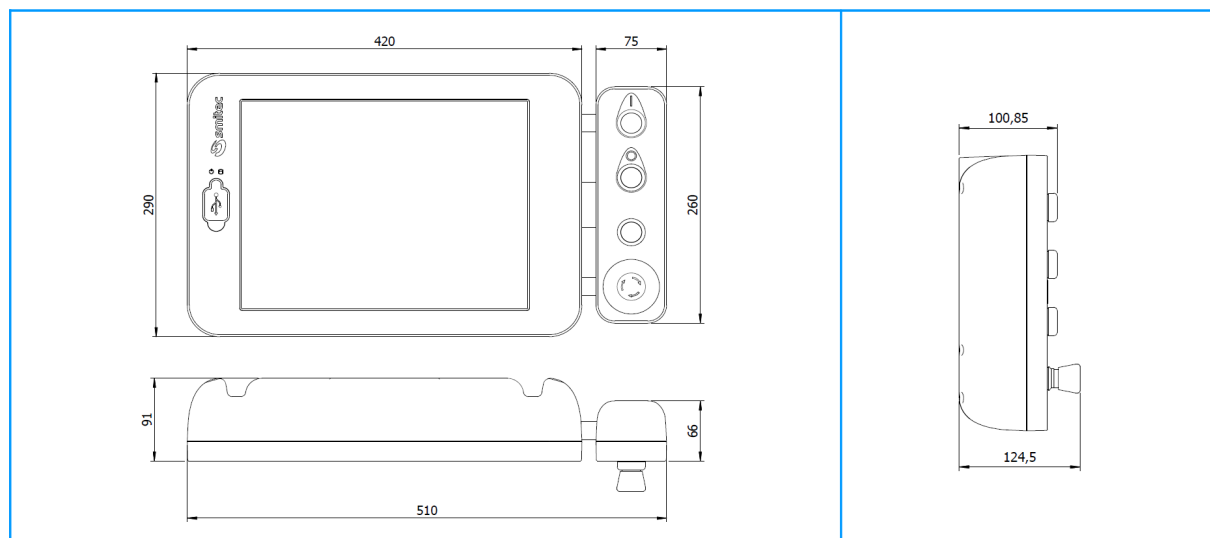
Via V. Veneto, 4 - 24016 San Pellegrino Terme (BG) ITALY  
Tel. +39 0345 40.800 - Fax: +39 0345 40.809 - [www.smitec.it](http://www.smitec.it)

#### **Head office:**

Via C. Ceresa, 10 - 24015 San Giovanni Bianco (BG) ITALY  
C.F. e P. IVA IT03790400166

| Technical data               |   |
|------------------------------|---|
| Architecture                 | x86   |
| Available OS                 | MS Windows 10IoT / Linux  |
| Housing material             | Aluminum  |
| Degree of protection         | IP65  |
| Processor                    | Intel® Celeron N3160 Quad-Core (1.60GHz)  |
| Memory                       | 4GB DDR3 1066MHz RAM  |
| Display                      | 15" colour LED TFT, 1024x768, 16.2M colors  |
| Touch screen                 | 5 wires - HD – high resistance<br>35 million touches at one point   |
| Connections                  | 2 x external USB (front side)<br>4 x USB<br>2 x Gigabit LAN<br>1 x DVI-T<br>1 x COM RS485<br>2 x COM RS232<br>1 x HDMI,<br>1 x Audio connector,<br>1 x CFast socket |
| Electrical specifications    | Power supply: 24V <sub>DC</sub>   |
| Environmental specifications | Operating temperature: from +0°C to +50°C<br>Storage temperature: from -20°C to +60°C<br>Relative humidity: from 0% to 90% (non-condensing)                         |
| Certifications               | CE, cULus   |

## Dimensions



Data here mentioned are subject to changes without any notice.