



## RTD A2

**FLXMOD**

### RTDs acquisition module

#### Description

FLXMOD™ system analog module, with two inputs for 100Ω standard RTDs having a resolution of 12 bit. This unit, designed for mounting on a standard DIN rail and housed in a compact plastic case, has an insulated front-end circuitry for best accuracy. Proprietary FLXIO™ bus ensure reliable real-time communication with the CPU.



#### **Smitec S.p.A.**

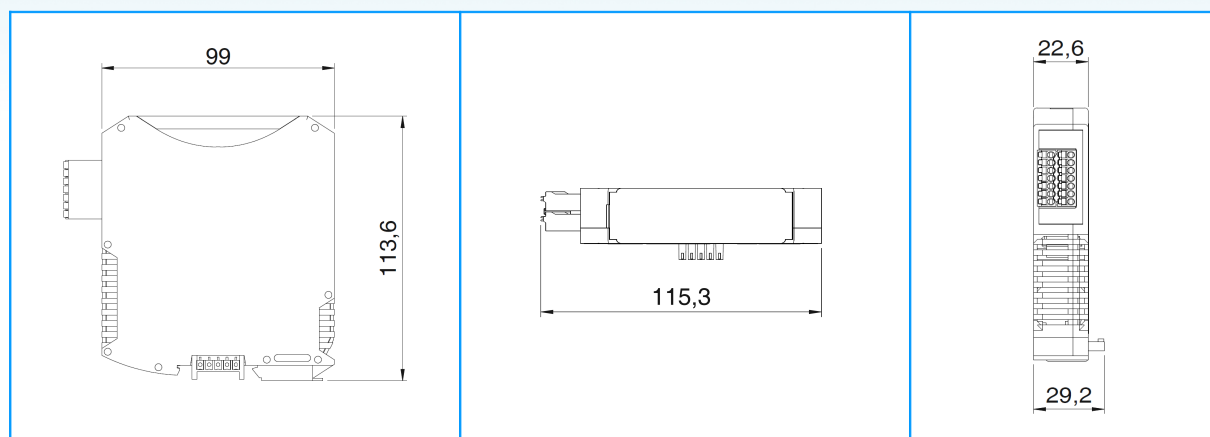
Via V. Veneto, 4 - 24016 San Pellegrino Terme (BG) ITALY  
Tel. +39 0345 40.111 - Fax: +39 0345 40.809 - [www.smitec.it](http://www.smitec.it)

#### **Head office:**

Via C. Ceresa, 10 - 24015 San Giovanni Bianco (BG) ITALY  
C.F. e P. IVA IT03790400166

Technical data	
Housing material	Polypropylene
Degree of protection	IP20
Number of analog inputs	2
Analog inputs characteristics	For two-wire and three-wire 100Ω platinum RTDs
Analog inputs range	79 ÷ 232Ω (-53° ÷ +358°C)
RTD bias current	930μA
Analog inputs resolution	12 bit
Interface	Proprietary FLXIO™
Bus address setting	By rotary switch
Electrical specifications	Logic supply: 24V <sub>DC</sub> and 5V <sub>DC</sub> from backplane
Environmental specifications	Operating temperature: from +5°C to +55°C Storage temperature: from -25°C to +85°C Relative humidity: from 10% to 95% (non-condensing)

## Dimensions



Data here mentioned are subject to changes without any notice.