



PWR 01

FLXMOD

Power supply module

Description

FLXMOD™ system power supply unit, designed for mounting on a standard DIN rail and housed in a compact plastic case. This unit, fed by a 24V_{DC} source, delivers the power supplies for the coupler and the I/O modules stacked on the rail. Integrated termination resistor for FLXIO™ bus.



Smitec S.p.A.

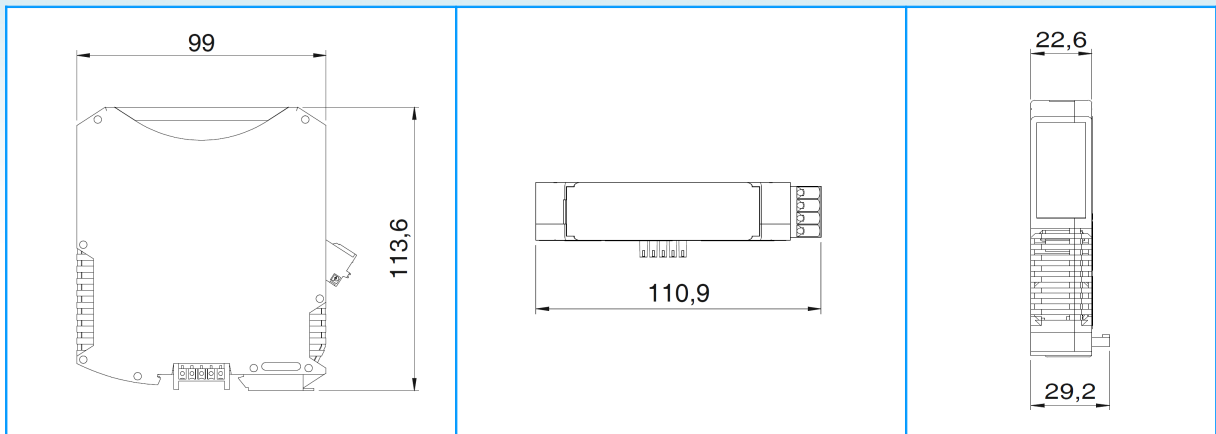
Via V. Veneto, 4 - 24016 San Pellegrino Terme (BG) ITALY
Tel. +39 0345 40.111 - Fax: +39 0345 40.809 - www.smitec.it

Head office:

Via C. Ceresa, 10 - 24015 San Giovanni Bianco (BG) ITALY
C.F. e P. IVA IT03790400166

Technical data	
Housing material	Polypropylene
Degree of protection	IP20
Power outputs	2, delivered on backplane: 24V _{DC} / 2A max. (auxiliary supply) 5V _{DC} / 3A max. (logic supply)
Protection features	Overload and short-circuit on both outputs
Bus termination resistor	120Ω, integrated on-board
Electrical specifications	Power supply: 24V _{DC} / 3A max.
Environmental specifications	Operating temperature: from +5°C to +55°C Storage temperature: from -25°C to +85°C Relative humidity: from 10% to 95% (non-condensing)

Dimensions



Data here mentioned are subject to changes without any notice.