



MST S3

FLXMOD

Industrial PC with SERCOS III bus master

Description

MST S3 is an industrial PC based on Intel x86 architecture with built-in SERCOS III bus master housed in a very compact plastic case designed for mounting on a standard DIN rail and styled to be perfectly integrated in a FLXMOD™ automation system. It is the ideal complement to build an automation system based on SERCOS III fieldbus and FLXMOD™ modules.



SMITEC S.p.A.

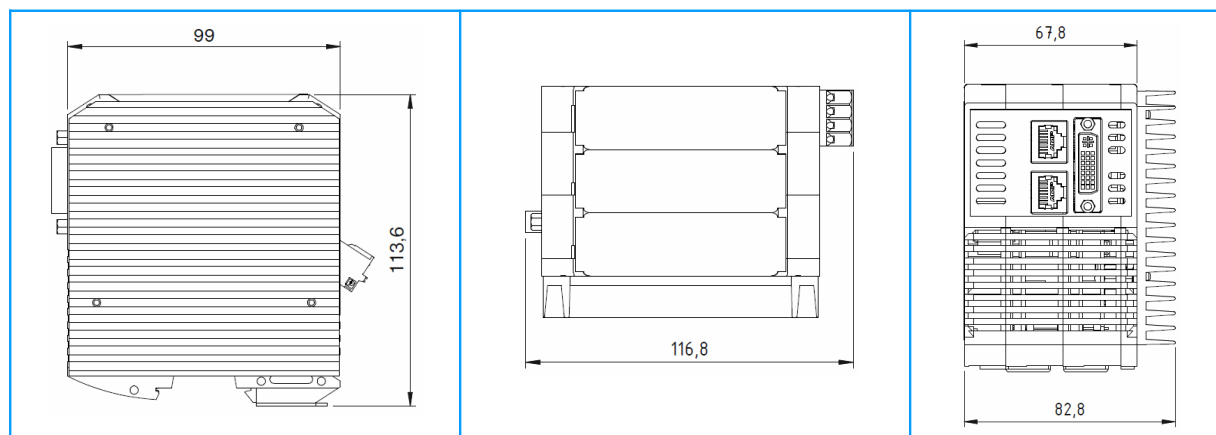
Via V. Veneto, 4 - 24016 San Pellegrino Terme (BG) ITALY
Tel. +39 0345 40.111 - Fax: +39 0345 40.809 - www.smitec.it

Head office:

Via C. Ceresa, 10 - 24015 San Giovanni Bianco (BG) ITALY
C.F. e P. IVA IT03790400166

Technical data	
Architecture	x86
Available OS	MS Windows / Linux
Housing material	Polypropylene
Degree of protection	IP20
Processor	Intel® Atom™ Z510 or Z530 (1.1 / 1.6 GHz)
Memory	1GB RAM
Display	SDVL output (Smitec Digital Video Link) for proprietary digital display unit and standard analog input display up to 1024x768,16.2M colors
Fieldbus	1 x SERCOS III master
Connections	1 x SDVL output (upper side) 1 x USB (bottom side) 2 x USB (on SDVL output) 1 x Gigabit LAN (bottom side) 1 x VGA (on SDVL output) 1 x switch configurable COM RS232/422/485 (bottom side) 1 x CF socket (front side) 1 x reset button (front side)
Electrical specifications	Power supply: 24V _{DC}
Environmental specifications	Operating temperature: from +0°C to +50°C Storage temperature: from -20°C to +60°C Relative humidity: from 0% to 90% (non-condensing)

Dimensions



Data here mentioned are subject to changes without any notice.