

HMI D1

FLXMOD

Process control unit with graphical machine interface

Description

Process control unit with graphical machine interface, equipped with a 4.3" color display and available with several custom-tailored characteristics and peripherals (front panel, touch-screen, keyboard, SD card reader, RTC, etc..). This unit, designed for panel mounting and housed in a rugged metal case, can work simultaneously as process controller, human machine interface and FLXMOD™ system master.



Smitec S.p.A.

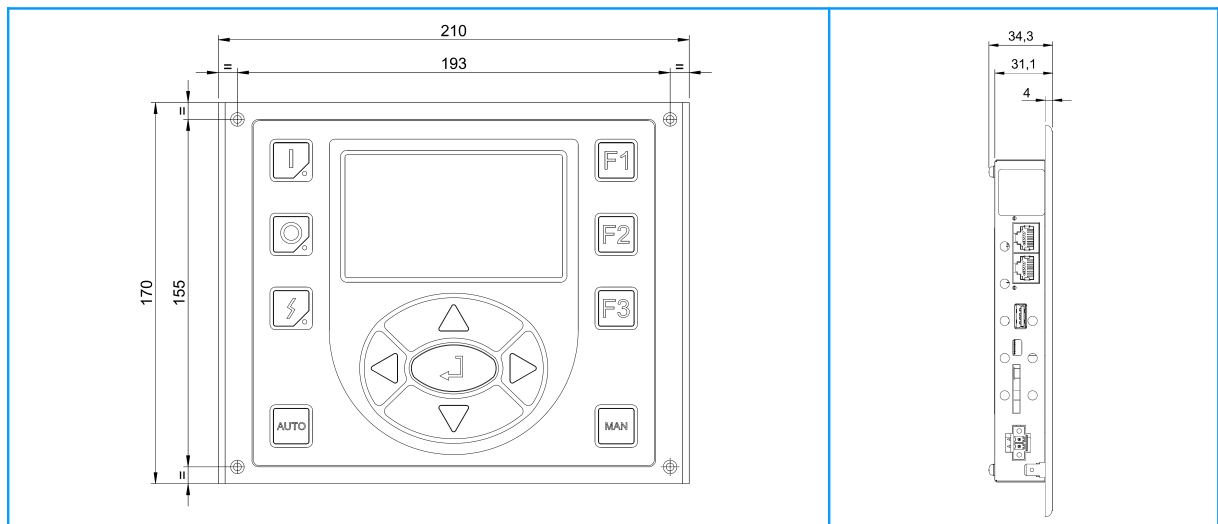
Via V. Veneto, 4 - 24016 San Pellegrino Terme (BG) ITALY
Tel. +39 0345 40.111 - Fax: +39 0345 40.809 - www.smitec.it

Head office:

Via C. Ceresa, 10 - 24015 San Giovanni Bianco (BG) ITALY
C.F. e P. IVA IT03790400166

Technical data	
Housing material	Aluminum and steel
Degree of protection	IP65 (when flush mounted)
CPU processor type	32 bit RX62N Renesas processor with 96kbytes RAM and 512Mbits Flash inside
On-board memories	128 Mbit SDRAM, 32 Mbit FLASH, 64 kbit non-volatile RAM (upgradable on demand)
Number of FLXIO™ / RS 485 ports	2, max. speed 2.5 Mbps
Max number of FLXIO™ slaves	30 (15 for each port)
Other ports	1 Ethernet port, 1 USB device port, 1 USB host port
Other peripherals	1 RTC (Real Time Clock), 1 buzzer
Display	4.3" with 480x272 pixels resolution
Color depth	24 bit (16.7M colors)
Touch-screen	Four wires type
Keyboard	Up to 16 buttons (4x4 matrix) and up to 3 LED lamps
Electrical specifications	Power supply: 24V _{DC}
Environmental specifications	Operating temperature: from +5°C to +55°C Storage temperature: from -25°C to +85°C Relative humidity: from 10% to 95% (non-condensing)

Dimensions



Data here mentioned are subject to changes without any notice.