

## HMI B1

**FLXMOD**

### Graphical machine interface

#### Description

Machine interface module, equipped with a 7" color display and a touch-screen interface. This unit, designed for panel mounting and housed in a rugged metal case, is designed especially to work in conjunction with FLXMOD system master modules.



#### **Smitec S.p.A.**

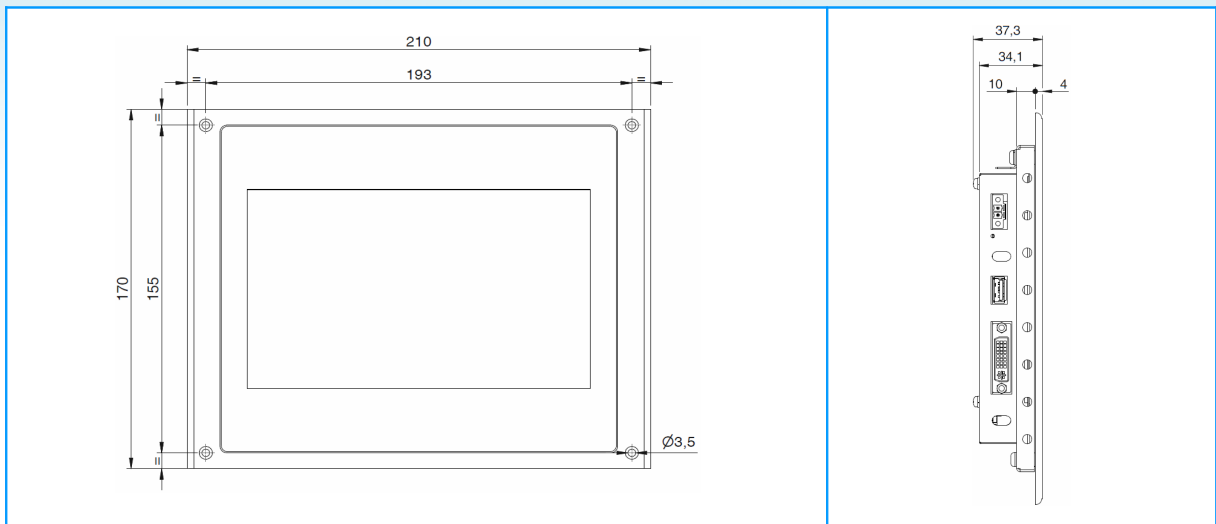
Via V. Veneto, 4 - 24016 San Pellegrino Terme (BG) ITALY  
Tel. +39 0345 40.111 - Fax: +39 0345 40.809 - [www.smitec.it](http://www.smitec.it)

#### **Head office:**

Via C. Ceresa, 10 - 24015 San Giovanni Bianco (BG) ITALY  
C.F. e P. IVA IT03790400166

Technical data	
Housing material	Aluminum and steel
Degree of protection	IP65 (when flush mounted)
Display	7" with 800x480 pixels resolution
Color depth	18 bit (262k colors)
Touch-screen	Four wires type
Interface with master modules	Proprietary SDVL (SMITEC Digital Video Link)
Other ports	One USB 2.0 type A general purpose port
Electrical specifications	Power supply: 24V <sub>DC</sub>
Environmental specifications	Operating temperature: from +5°C to +55°C Storage temperature: from -30°C to +85°C Relative humidity: from 10% to 95% (non-condensing)

## Dimensions



Data here mentioned are subject to changes without any notice.