



## ETHERCAP

---

### Ethernet rotary coupler

#### Description

10/100BASE-T Ethernet rotary coupler for industrial applications, housed in an IP54 tiny aluminum case. Capacitive coupling technology allows high-speed contactless communications between revolving parts on machinery and robots. Tested on high-speed real-time SERCOSIII™ protocol, it is ideal for Ethernet-based fieldbuses. The connections to power supply and to fieldbus are made by robust M12 connectors placed aside the disks or longitudinally, depending on the product version.



**Smittec S.p.A.**

Via V. Veneto, 4 - 24016 San Pellegrino Terme (BG) ITALY

Tel. +39 0345 40.111 - Fax: +39 0345 40.809 - [www.smittec.it](http://www.smittec.it)

**Head office:**

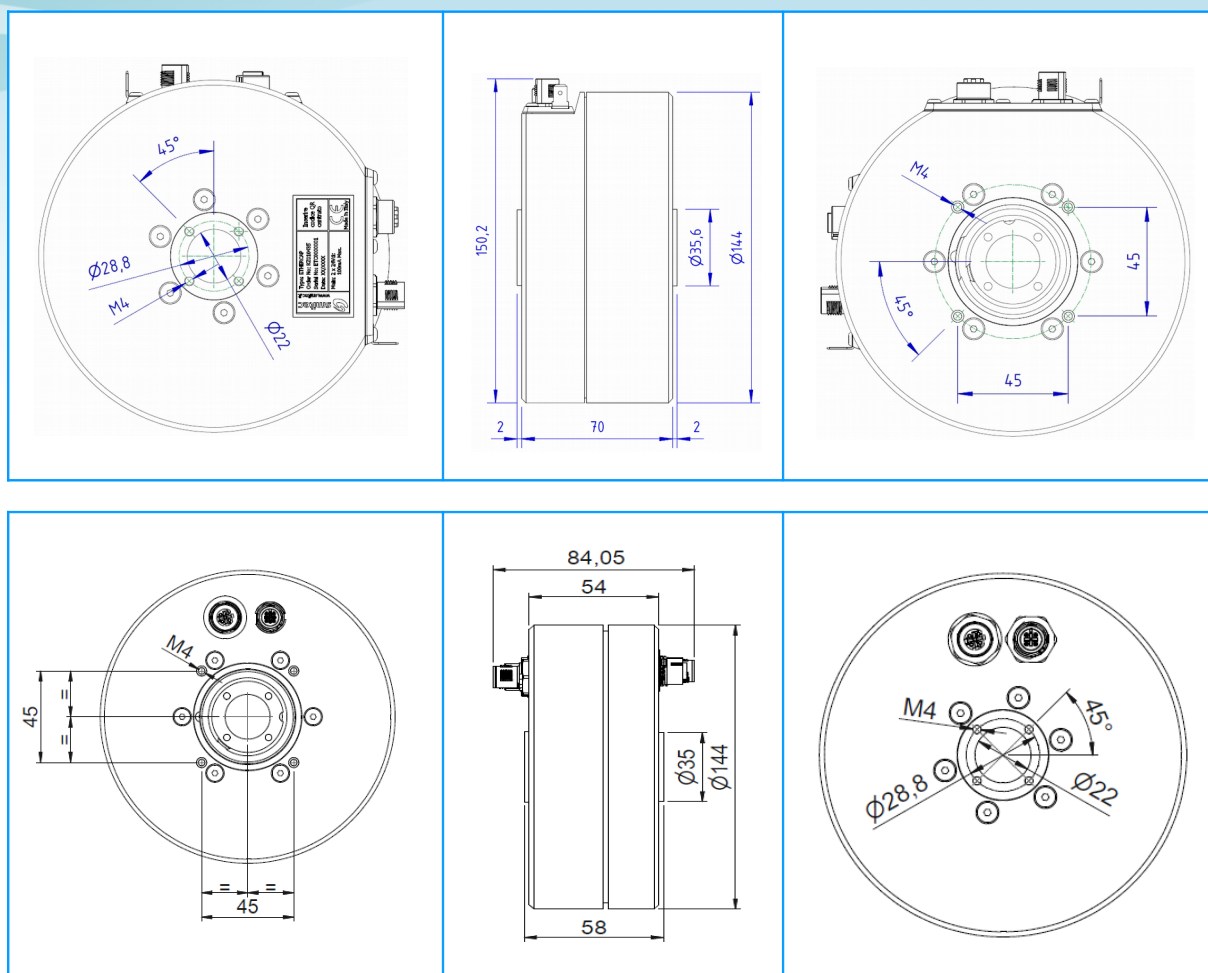
Via C. Ceresa, 10 - 24015 San Giovanni Bianco (BG) ITALY

C.F. e P. IVA IT03790400166

## Technical data

Ethernet compliance	10/100BASE-T IEEE 802.3 compliant
Coupling method	capacitive
Housing material	aluminum
Degree of protection	IP54
Shaft bore	22 mm
Rotating speed	Up to 40 rpm
Electrical specifications	Power supplies: 2 x 24VDC, 2W max. M12 A-coded connectors (power supplies) M12 D-coded connectors (Ethernet)
Environmental specifications	operating temperature from +5°C to +55°C storage temperature from -40°C to +70°C relative humidity from 10% to 95% (non-condensing)

## Dimensions



Data here mentioned may be subject to changes without any notice.