



## ECI A2



### Encoder reader and counter module

#### Description

FLXMOD™ system dual encoder reader and quad counter module. This unit, designed for mounting on a standard DIN rail and housed in a compact plastic case, is able to read two incremental quadrature encoders (with 24V HTL outputs) or to act as a quad counter. Proprietary FLXIO™ bus ensure reliable real-time communication with the CPU.



#### **Smitec S.p.A.**

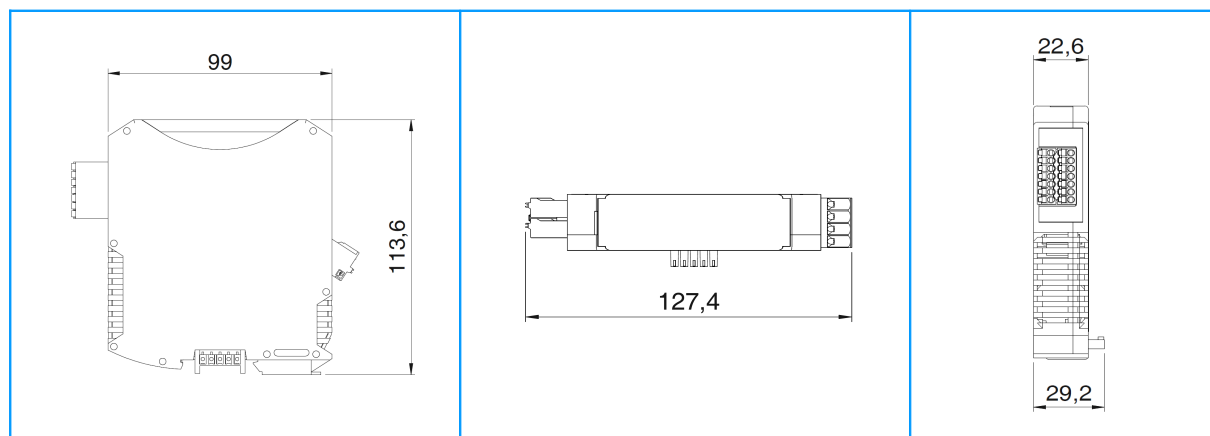
Via V. Veneto, 4 - 24016 San Pellegrino Terme (BG) ITALY  
Tel. +39 0345 40.111 - Fax: +39 0345 40.809 - [www.smitec.it](http://www.smitec.it)

#### **Head office:**

Via C. Ceresa, 10 - 24015 San Giovanni Bianco (BG) ITALY  
C.F. e P. IVA IT03790400166

| Technical data                 |  |
|--------------------------------|--|
| Housing material               | Polypropylene  |
| Degree of protection           | IP20   |
| Number of encoder inputs       | 2  |
| Encoder type                   | Incremental encoder with differential 24V HTL outputs  |
| Encoder inputs bandwidth       | 0 ÷ 50 kHz   |
| Number of counter inputs       | 4  |
| Counter inputs characteristics | For type 3 digital 24V inputs (as defined in IEC 61131-2)  |
| Counter inputs bandwidth       | 0 ÷ 50 kHz   |
| External sensors power supply  | 24V, 1A max.   |
| Interface                      | Proprietary FLXIO™   |
| Bus address setting            | By rotary switch   |
| Electrical specifications      | Power supplies:<br>I/O supply: 24V <sub>DC</sub> / 1A max.<br>Logic supply: 24V <sub>DC</sub> and 5V <sub>DC</sub> from backplane            |
| Environmental specifications   | Operating temperature: from +5°C to +55°C<br>Storage temperature: from -25°C to +85°C<br>Relative humidity: from 10% to 95% (non-condensing) |

## Dimensions



Data here mentioned are subject to changes without any notice.