



## DPO A4

**FLXMOD**

### Digital outputs module

#### Description

FLXMOD™ system digital I/O module, with 4 digital 24V outputs. This unit, designed for mounting on a standard DIN rail and housed in a compact plastic case, is able to deliver up to 2A for each output. Proprietary FLXIO™ bus ensure reliable real-time communication with the CPU.



#### **Smittec S.p.A.**

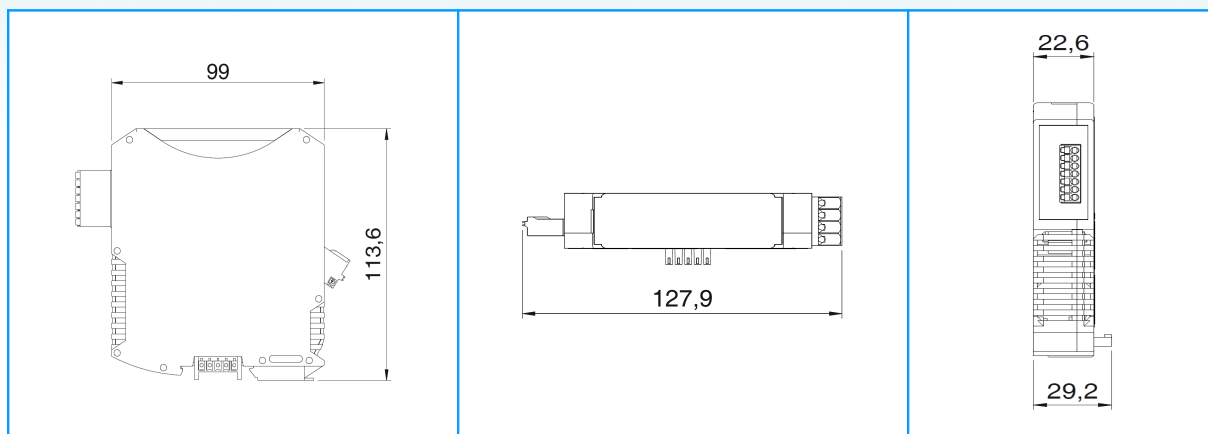
Via V. Veneto, 4 - 24016 San Pellegrino Terme (BG) ITALY  
Tel. +39 0345 40.111 - Fax: +39 0345 40.809 - [www.smittec.it](http://www.smittec.it)

#### **Head office:**

Via C. Ceresa, 10 - 24015 San Giovanni Bianco (BG) ITALY  
C.F. e P. IVA IT03790400166

Technical data	
Housing material	Polypropylene
Degree of protection	IP20
Number of digital outputs	4
Outputs characteristics	Current-sourcing hi-side MOSFET with fast demagnetizing feature, 2A max.
Protection features	Overload, short-circuit and overtemperature
Interface	Proprietary FLXIO™
Bus address setting	By rotary switch
Electrical specifications	Power supplies: I/O supply: 24V <sub>DC</sub> / 7A max. Logic supply: 24V <sub>DC</sub> and 5V <sub>DC</sub> from backplane
Environmental specifications	Operating temperature: from +5°C to +55°C Storage temperature: from -25°C to +85°C Relative humidity: from 10% to 95% (non-condensing)

## Dimensions



Data here mentioned are subject to changes without any notice.