

CVI B4

FLXMOD

Analog inputs with reference module

Description

FLXMOD™ system analog module, with four $0 \div 10V$ or $4 \div 20mA$ inputs having a resolution of 12 bit and a precision +10V reference for sensors (e.g. potentiometers). This unit, designed for mounting on a standard DIN rail and housed in a compact plastic case, has an insulated front-end circuitry for best accuracy. Proprietary FLXIO™ bus ensure reliable real-time communication with the CPU.



Smitec S.p.A.

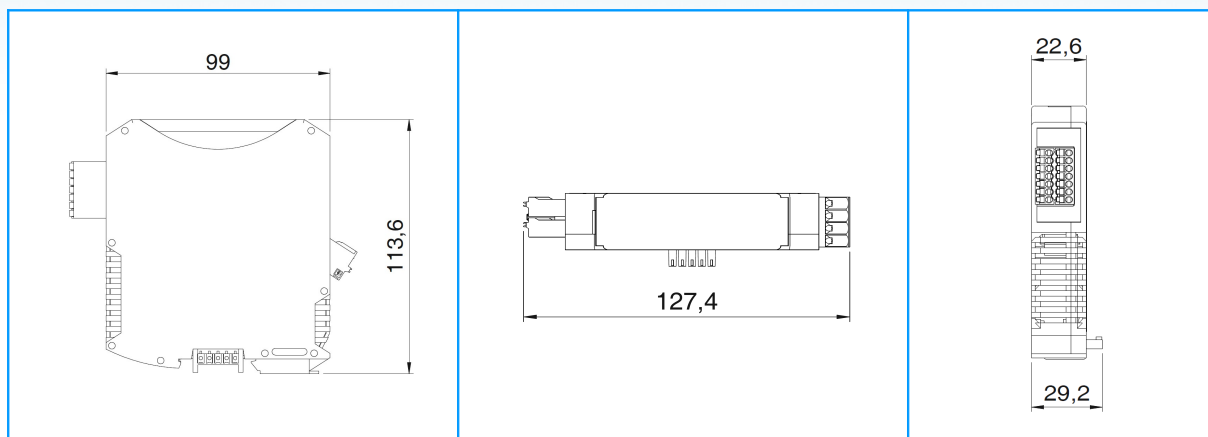
Via V. Veneto, 4 - 24016 San Pellegrino Terme (BG) ITALY
Tel. +39 0345 40.111 - Fax: +39 0345 40.809 - www.smitec.it

Head office:

Via C. Ceresa, 10 - 24015 San Giovanni Bianco (BG) ITALY
C.F. e P. IVA IT03790400166

Technical data	
Housing material	Polypropylene
Degree of protection	IP20
Number of analog inputs	4
Analog inputs range	0 ÷ 10V or 4 ÷ 20mA (software configurable)
Analog inputs resolution	12 bit
Reference voltage	10V, 40mA max.
Interface	Proprietary FLXIO™
Bus address setting	By rotary switch
Electrical specifications	Power supplies: I/O supply: 24V _{DC} / 1.5A max. (for external loads) Logic supply: 24V _{DC} and 5V _{DC} from backplane
Environmental specifications	Operating temperature: from +5°C to +55°C Storage temperature: from -25°C to +85°C Relative humidity: from 10% to 95% (non-condensing)

Dimensions



Data here mentioned are subject to changes without any notice.