



CPL MR

FLXMOD

MODBUS RTU coupler module

Description

FLXMOD™ system MODBUS RTU coupler (EIA RS485 based). This unit, designed for mounting on a standard DIN rail and housed in a compact plastic case, allows the interfacing of up to two FLXMOD™ systems to a MODBUS RTU bus.



Smitec S.p.A.

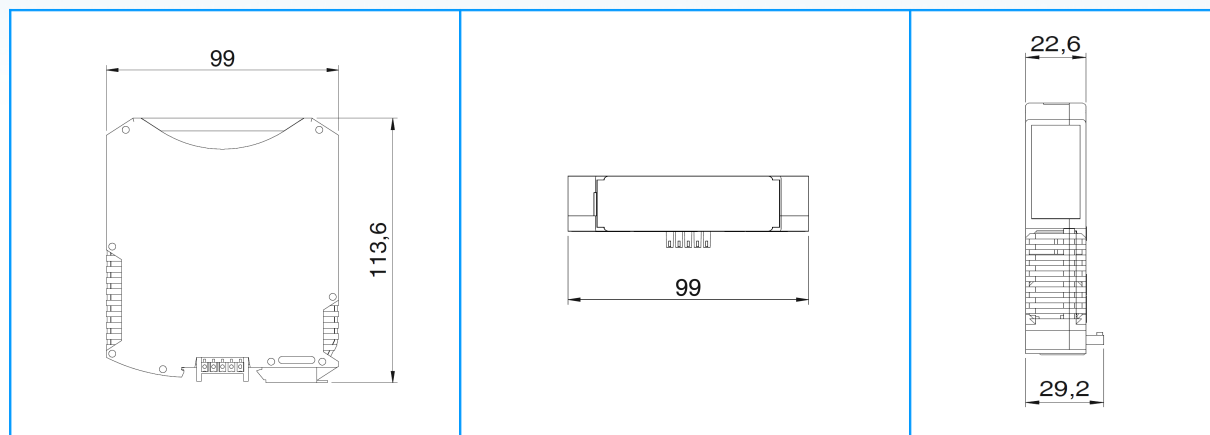
Via V. Veneto, 4 - 24016 San Pellegrino Terme (BG) ITALY
Tel. +39 0345 40.111 - Fax: +39 0345 40.809 - www.smitec.it

Head office:

Via C. Ceresa, 10 - 24015 San Giovanni Bianco (BG) ITALY
C.F. e P. IVA IT03790400166

Technical data	
Housing material	Polypropylene
Degree of protection	IP20
External bus interface	MODBUS RTU (EIA RS485 based)
MODBUS transmission speed	Up to 115.2 kbps
Number of FLXIO™ ports	2 (one local bus and one expansion bus)
FLXIO™ transmission speed	2.5 Mbps on local bus 1.25 Mbps on expansion bus
Max. number of slaves	30 (15 for each FLXIO™ branch)
MODBUS address setting	By two rotary switches on front panel
Other interfaces	USB type B port on front panel for programming and debug
Electrical specifications	Logic supply: 24V _{DC} and 5V _{DC} from backplane
Environmental specifications	Operating temperature: from +5°C to +55°C Storage temperature: from -25°C to +85°C Relative humidity: from 10% to 95% (non-condensing)

Dimensions



Data here mentioned are subject to changes without any notice.